



TECHNICAL SPECIFICATIONS



2100/3100 SERIES

Small displacement roller bearing pump and motor



PUMP PERFORMANCE CHART [gpm]

GEAR WIDTH [in]

SPEED [rpm]	GEAR WIDTH [in]										
	1/2	3/4	1	1 1/4	1 1/2	1 3/4	2	2 1/4	2 1/2	2 3/4	3
600	—	—	3.0	4.0	6.0	7.0	8.5	—	—	—	—
900	—	—	6.0	7.5	10.0	11.5	13.5	—	—	—	—
1000	—	—	6.5	8.5	11.0	12.5	15.0	—	—	—	—
1200	—	—	8.5	11.0	14.0	16.0	19.0	—	—	—	—
1500	—	—	11.0	14.0	17.5	20.5	24.0	—	—	—	—
1800	—	—	13.5	17.5	21.5	25.0	29.0	—	—	—	—
2100	—	—	16.0	21.0	25.5	29.5	34.5	—	—	—	—
2400	—	—	18.5	24.0	29.5	34.0	39.5	—	—	—	—
Max RPM	—	—	2400					—	—	—	—
Displacement (in³)	1.00	1.50	2.00	2.50	3.00	3.50	4.00	—	—	—	—
Displacement (cc)	16.40	24.60	32.80	41.00	49.20	57.40	65.50	—	—	—	—
Max Operating PSI	3000					2500		—	—	—	—

SPECIFICATIONS

Series	Type	Frame Size	Displacement	Max RPM	GPM @ 1000RPM	Max PSI
2100 / 3100	Bearing	Small	1.00-4.00	2400	4.5-17	3000

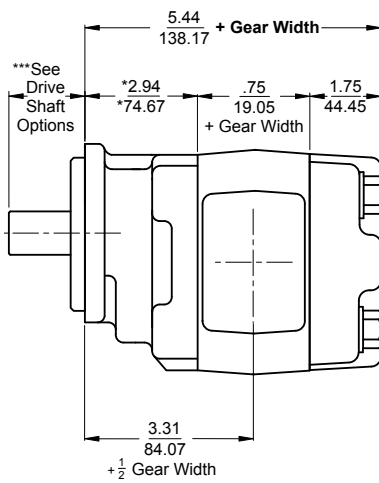
2100/3100 SERIES

MOTOR PERFORMANCE CHART

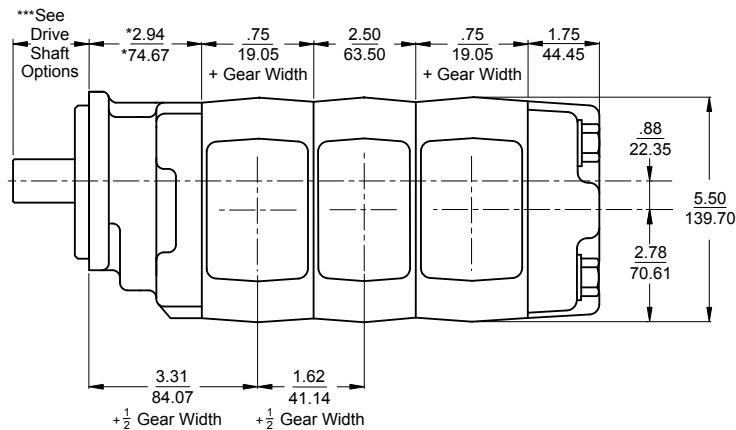
GEAR WIDTH [in] M3100/2100 @ 2000 PSI

SPEED [rpm]	1			1 1/2			2		
	Input (GPM)	Output Torque (in-lb)	Output (HP)	Input (GPM)	Output Torque (in-lb)	Output (HP)	Input (GPM)	Output Torque (in-lb)	Output (GPM)
800	10	575	7.5	14	900	11.5	18	1180	15
1000	12	570	9	16.5	895	14	21	1175	18.6
1200	14	570	11	19	890	17	24	1170	22.5
1800	17	565	14.5	24	880	22.5	32	1160	29
2000	20.5	555	17.5	29.5	860	27.5	39	1130	36

DIMENSIONAL DATA

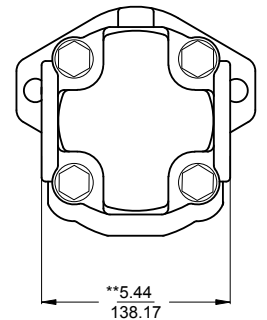


SINGLE UNIT



MULTIPLE UNIT

SINGLE UNIT



DISCLAIMER Consult your Permco Representative or the factory for operation below 600 or above 2400 RPM and temperatures above 180° F. Oil Viscosity: 150 SUS (32.1 cSt.) at 100° F (37.8° C) | Oil Temperature: 150° F (65.5° C)



1500 Frost Road P.O. Box 2068
Streetsboro, Ohio 44241
Phone 330.626.2801 • Fax 330.626.2805

support@permco.com • www.permco.com
twitter: @permco
facebook: www.facebook.com/permco